



Bulletin 592 Eutectic Overload Relay Installation

(Cat 592-EUTB; 592-EUTC; 592-EUTD; 592-EUTE)

	WARNING
	AVERTISSEMENT
	WARNUNG

To prevent electrical shock, disconnect from power source before installing or servicing. Install in suitable enclosure. Keep free from contaminants.

Avant le montage et la mise en service, couper l'alimentation secteur pour éviter toute décharge. Prévoir une mise en coffret ou armoire appropriée. Protéger le produit contre les environnements agressifs.

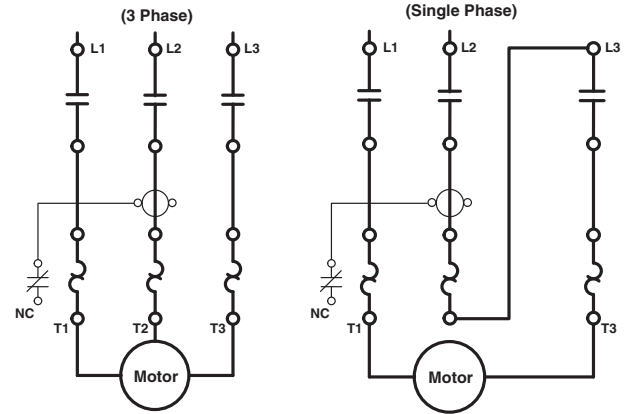
Desconéctese de la corriente eléctrica, antes de la instalación o del servicio, a fin de impedir sacudidas eléctricas. Instálo en una caja apropiada. Manténgalo libre de contaminantes.

Bulletin 509 Size 0, 1, 2

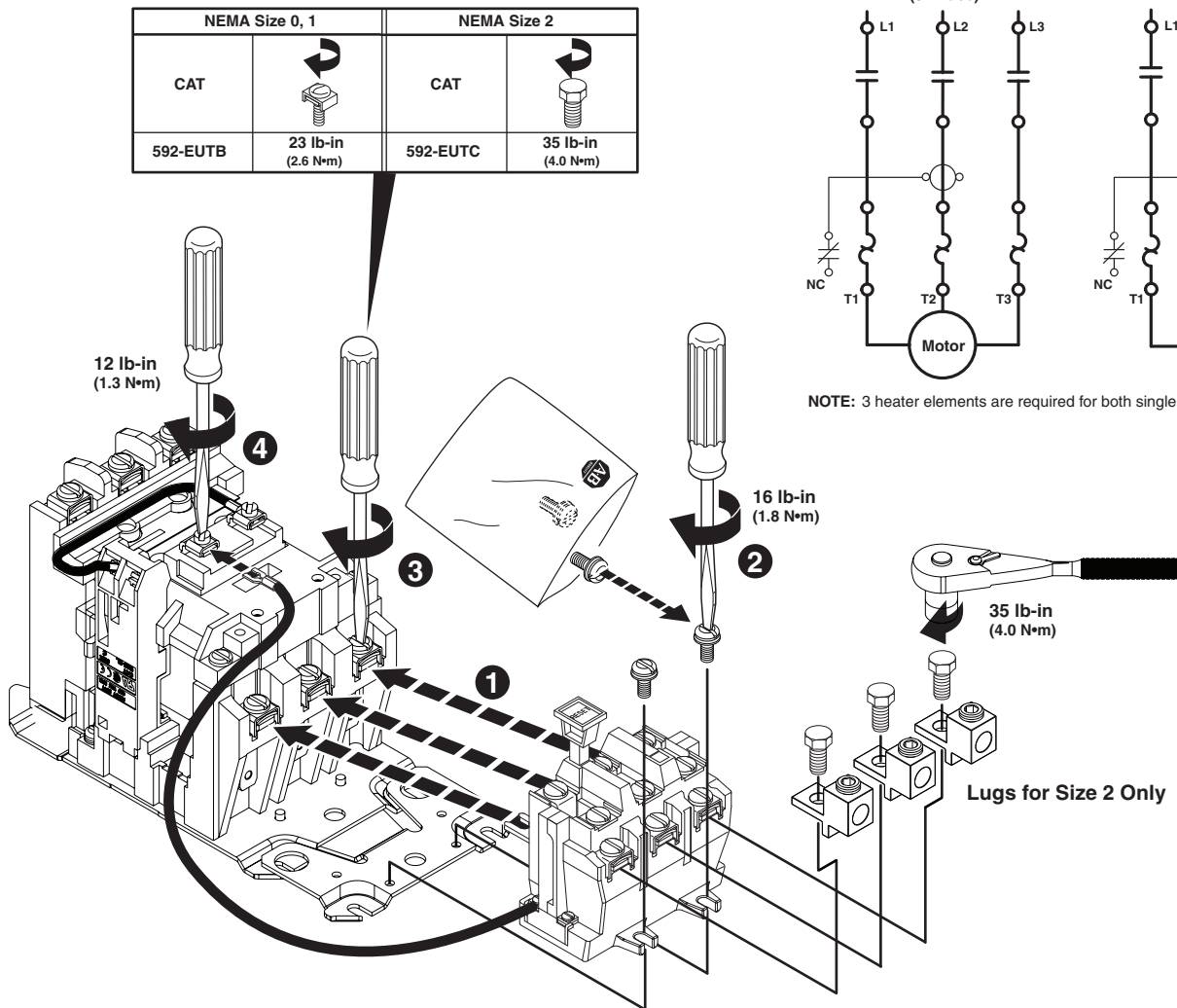
To Replace Existing Overload Relay

- Disconnect power wires and control wires from overload relay.
- Remove the two screws that secure the overload relay to the mounting plate.
- Loosen, but do not remove the screws that connect the overload relay terminals to the contactor terminals.
- Lift overload relay away from mounting plate and slide away from contactor to remove.

NEMA Size 0, 1, 2, 3, 4



NOTE: 3 heater elements are required for both single phase and 3 phase applications



NEMA Size	Power Connections		Control Connections	
	Wire Range (AWG)	Tightening Torques (Wire in Lug)	Wire Range (AWG)	Tightening Torques (Wire in Lug)
0, 1	14 - 8	23 lb-in (2.6 N*m)	18 - 12	12 lb-in (1.4 N*m)
2	14 - 4	45 lb-in (5.1 N*m)	18 - 12	12 lb-in (1.4 N*m)

Bulletin 509 Size 3, 4

To Replace Existing Overload Relay

- Disconnect power wires and control wires from overload relay.
- Remove the two screws that secure the overload relay mounting plate to the back of the contactor mounting plate.
- Remove the screws that connect the overload relay terminals to the contactor terminals.
- Separate the overload relay from the contactor and remove.

